

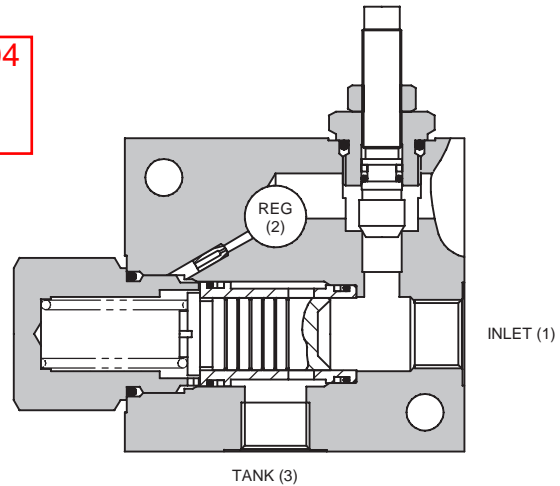
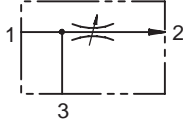


2FB SERIES PRESSURE COMPENSATED

FLOW REGULATOR - BYPASS STYLE

2FB SERIES

ATP Art. Nr. 540 125 304
Stromventil
2FB25-P-3W-25-S



APPLICATION

2FB valves are bypass flow regulators. The flow (and actuator speed) will be largely independent of the load and the pressure conditions.

If used to regulate flow from a fixed supply, for example a standard gear or piston pump, the valve will pass the required flow and any surplus flow will be dumped to the tank line at working pressure. The supply pressure requirement will be approximately 7 bar (100 psi) higher than the system pressure, this being the operating pressure of the valve.

OPERATION

Inlet flow passes through the adjustable orifice and out of the regulated port. The pressure drop across the orifice is sensed at each end of the spool, producing a force which, at the required flow rate, overcomes the spring force. The resultant movement of the spool regulates the flow by opening the radial valve ports and dumping excess flow.

The valve will pass flow in the return direction but this is restricted by the flow path through the control orifice. For correct valve function the pressure on the tank line MUST be lower than the minimum pressure on the regulated line.

FEATURES

Line body construction allows direct connection into hydraulic systems. Leakproof adjust screw gives easy, accurate adjustment to required flow setting. Hardened and ground working parts give accurate flow control and long working life.

SPECIFICATIONS

Figures based on: Oil Temp = 40°C Viscosity = 40 cSt

Rated Flow	INLET:	
	2FB25	55 litres/min (14 US GPM)
	2FB55	95 litres/min (25 US GPM)
	2FB95	150 litres/min (40 US GPM)
	2FB195	285 litres/min (70 US GPM)
	REGULATED:	
	2FB25	30 litres/min (8 US GPM)
	2FB55	55 litres/min (14 US GPM)
	2FB95	95 litres/min (25 US GPM)
	2FB195	195 litres/min (50 US GPM)
Max Pressure	210 bar (3000 psi)	
Material	All working parts hardened, ground and honed steel	
Body Material	Standard aluminium (up to 210 bar) Add suffix '377' for steel option	
Mounting Position	Line mounted	
Weight	2FB25/2FB55	0.79 kg (1.74 lbs)
	2FB95	0.82 kg (1.80 lbs)
	2FB195	1.57 kg (3.46 lbs)
Seal Kit Number	2FB25/55	SK355 (Nitrile) SK355V (Viton)
	2FB95	SK661 (Nitrile) SK661V (Viton)
	2FB195	SK374 (Nitrile) SK374V (Viton)
Recommended Filtration Level	BS5540/4 Class 18/13 (25 micron nominal)	
Operating Temp	-20°C to +90°C	
Nominal Viscosity Range	5 to 500 cSt	

*For applications above 210 bar please consult our technical department or use the steel body option.

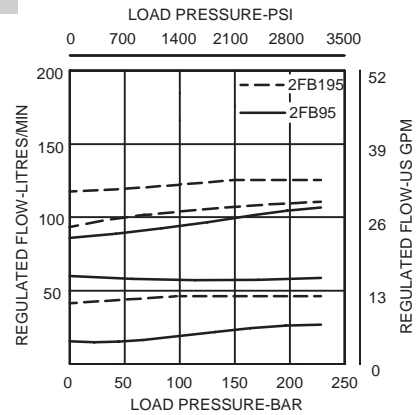
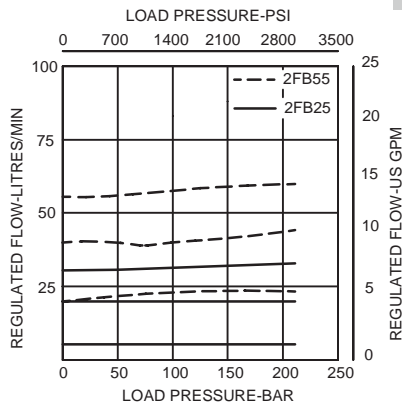
Integrated Hydraulics Ltd

Collins Road, Heathcote Ind. Est., Warwick, CV34 6TF, UK.
Tel: +44 (0) 1926 881171 Fax: +44 (0) 1926 315729
Website: www.integratedhydraulics.com

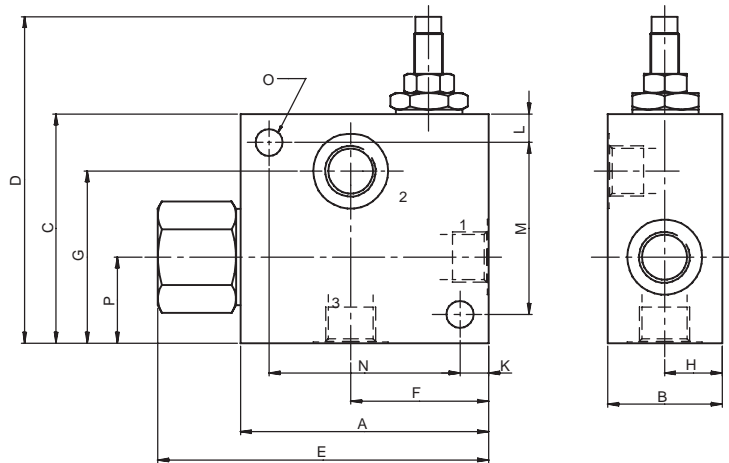
Integrated Hydraulics Inc

7047 Spinach Drive, Mentor, Ohio 44060, USA
Tel: (440) 974 3171 Fax: (440) 974 3170
Website: www.integratedhydraulics.com

PERFORMANCE



COMPLETE VALVE



Basic Code	Port Size	A	B	C	D	E	F	G	H	K	L	M	N	O	P
2FB25	3/8"	82.5	38	76	111	110	46	57	19	9.5	9.5	57	63.5	9	28.5
2FB55	1/2"	82.5	38	76	111	110	46	57	19	9.5	9.5	57	63.5	9	28.5
2FB95	3/4"	95	38	76	111	123	57	57	19	16	9.5	57	70	10.5	30
2FB195	1"	105	51	102	137	143	61	77.5	25.5	13	10	82.5	79	10.5	38

Where measurements are critical request certified drawings

ORDERING CODE EXAMPLE

2FB** **P** **6W** **95** **S**

Basic Code

2FB = Complete Valve

Adjustment Means

P = Leakproof Screw Adjustment

R = Handknob Adjustment

D = Detent Adjustment (2FB95 only)

L = Lever Adjustment (2FB95 only)

(See page 9-102 for dimensions)

Port Sizes - Bodied Valves Only

3W = 3/8" BSP **6T** = 3/8" SAE

4W = 1/2" BSP **8T** = 1/2" SAE

6W = 3/4" BSP **12T** = 3/4" SAE

8W = 1" BSP **16T** = 1" SAE

Seals

S = Nitrile (For use with most industrial hydraulic oils)

SV = Viton (For high temperature and most special fluid applications)

Adjustable Flow Range

25 = 0- 30 litres/min - 2FB25

55 = 0- 55 litres/min - 2FB55

95 = 0- 95 litres/min - 2FB95

195 = 0-195 litres/min - 2FB195

We reserve the right to change specifications without notice