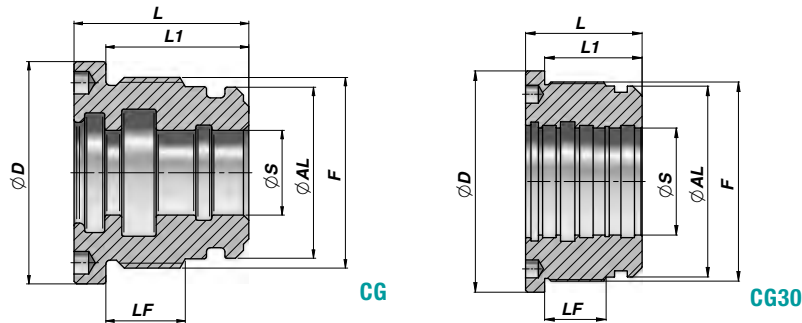


TESTATA DI GUIDA  
HEAD BUSH

CG/CG30

Series M250



Codice Code	ØAL	ØS	ØD	F	LF	L	L1	kg	Confezione Box	Pz Pcs	Set guarnizioni Seal kits
CG09508040	80	40	94	M85x2	33	60	50	1,78	Z10CG09508040	10	GKGC080040
CG09508045	80	45	"	"	"	"	"	1,64	Z10CG09508045	10	GKGC080045
CG09508050	80	50	"	"	"	"	"	1,47	Z10CG09508050	10	GKGC080050
CG09508055	80	55	"	"	"	"	"	1,28	Z10CG09508055	10	GKGC080055
CG09508060	80	60	"	"	"	"	"	1,05	Z10CG09508060	10	GKGC080060
CG10008535	85	35	99	M90x2	33	60	50	2,20	Z10CG10008535	10	GKGC085035
CG10008540	85	40	"	"	"	"	"	2,05	Z10CG10008540	10	GKGC085040
CG10008545	85	45	"	"	"	"	"	1,90	Z10CG10008545	10	GKGC085045
CG10008550	85	50	"	"	"	"	"	1,73	Z10CG10008550	10	GKGC085050
CG10509040	90	40	104	M95x2	33	60	50	2,35	Z05CG10509040	5	GKGC090040
CG10509045	90	45	"	"	"	"	"	2,22	Z05CG10509045	5	GKGC090045
CG10509050	90	50	"	"	"	"	"	2,04	Z05CG10509050	5	GKGC090050
CG10509060	90	60	"	"	"	"	"	1,62	Z05CG10509060	5	GKGC090060
CG11510040	100	40	114	M105x2	51	82	70	4,21	Z05CG11510040	5	GKGC100040
CG11510045	100	45	"	"	51	82	70	4,02	Z05CG11510045	5	GKGC100045
CG11510050	100	50	"	"	"	"	"	3,79	Z05CG11510050	5	GKGC100050
CG11510055	100	55	"	"	51	82	70	3,54	Z05CG11510055	5	GKGC100055
CG11510060	100	60	"	"	"	"	"	3,23	Z05CG11510060	5	GKGC100060
CG11510063	100	63	"	"	51	82	70	3,04	Z05CG11510063	5	GKGC100063
CG11510070	100	70	"	"	51	82	70	2,55	Z05CG11510070	5	GKGC100070
CG12511045	110	45	124	M115x2	41	72	60	4,40	Z03CG12511045	3	GKGC110045
CG12511050	110	50	"	"	"	"	"	4,20	Z03CG12511050	3	GKGC110050
CG12511060	110	60	"	"	51	82	70	4,24	Z03CG12511060	3	GKGC110060
CG12511070	110	70	"	"	"	"	"	3,56	Z03CG12511070	3	GKGC110070
CG14012050	120	50	139	M125x2	49	82	70	5,99	Z03CG14012050	3	GKGC120050
CG14012060	120	60	"	"	"	"	"	5,43	Z03CG14012060	3	GKGC120060
CG14012070	120	70	"	"	"	"	"	4,70	Z03CG14012070	3	GKGC120070
CG14012080	120	80	"	"	"	"	"	4,03	Z03CG14012080	3	GKGC120080
CG14512560	125	60	144	M130x2	59	92	80	6,76	Z02CG14512560	2	GKGC125060
CG14512570	125	70	"	"	"	"	"	5,96	Z02CG14512570	2	GKGC125070
CG14512580	125	80	"	"	"	"	"	5,21	Z02CG14512580	2	GKGC125080
CG14512590	125	90	"	"	"	"	"	4,21	Z02CG14512590	2	GKGC125090
CG16014070	140	70	159	M145x2	59	92	80	8,10			GKGC140070
CG16014080	140	80	"	"	"	"	"	7,35			GKGC140080
CG17015070	150	70	169	M155x2	69	102	90	10,75			GKGC150070
CG17015080	150	80	"	"	"	"	"	9,91			GKGC150080
CG18016080	160	80	179	M165x2	69	102	90	11,76			GKGC160080
CG18016090	160	90	"	"	"	"	"	10,67			GKGC160090
<b>CG30</b>											
CG30180100	180	100	210	M188x2.5	58	110	92	14,88			GKGC3180100
CG30180120	180	120	"	"	"	"	"	11,97			GKGC3180120
CG30200100	200	100	218	M208x2.5	58	110	92	19,34			GKGC3200100
CG30200120	200	120	"	"	"	"	"	16,43			GKGC3200120
CG30250120	250	120	268	M258x2.5	80	135	117	37,94			GKGC3250120
CG30250150	250	150	"	"	"	"	"	31,31			GKGC3250150

MATERIALE : GHISA OLEODINAMICA EN-GJL 250 (G25-UNI 5007/EN 1561) - \* = ALLUMINIO UNI 2011-11S  
 MATERIAL : HYDRAULIC CAST IRON EN-GJL 250 (G25-UNI 5007/EN 1561) - \* = ALUMINIUM UNI 2011-11S

GUARNIZIONI : VEDI PAGINE 71-72  
 SEALS : SEE PAGES 71-72

A RICHIESTA : SET GUARNIZIONI IN VITON  
 ON REQUEST : VITON SEAL KITS