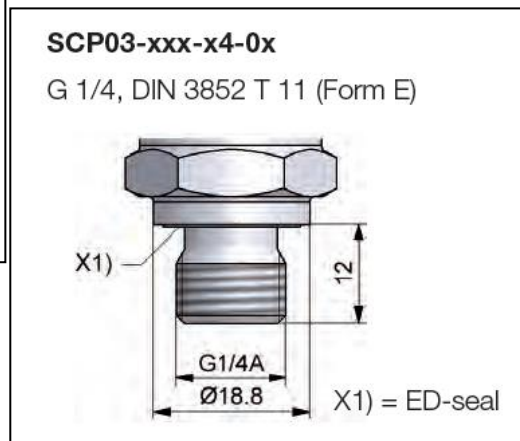


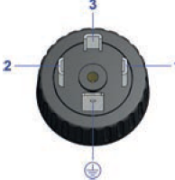
## Product Description

The SCP03 is a pressure sensor for liquid and gaseous media. The digitally calibrated piezoresistive measuring cell detects negative pressures from -1 bar up to high pressures of 1000 bar.

## Pin assignment



DIN EN 175301-803 Form A 4-polig (alt 43650)	
Pin 1	P-Signal
Pin 2	n.c
Pin 3	0 V / GND
Pin 4 / GND	V <sub>+</sub>
IP 65	



## Technical Data

	US Unit	Metr. Unit
<b>Size</b>	<b>NG10</b>	
<b>Body</b>	<b>Stainless Steel (EN/DIN 1.4301)</b>	
<b>Pressure Range P<sub>n</sub> relative</b>	0 to 1450 psi	0 to 100 bar
<b>Overload Pressure P<sub>max</sub> relative</b>	2'900 psi	200 bar
<b>Burst pressure P<sub>burst</sub> relative</b>	4'350 psi	300 bar
<b>Process Connection</b>	<b>G 1/4" BSPP</b>	
<b>Output Signal</b>	<b>4 to 20 mA (2-wire)</b>	
<b>Temperature Range</b>	-40 °F to 257°F	-40°C to +125°C
<b>Media temperature</b>	-40°F to +257°F	-40°C to +125°C
<b>Operation / Ambient Temperature</b>	-40°F to +221°F	-40°C to + 105°C
<b>Vibration Resistance according to IEC 60068-2-6</b>	<b>20g</b>	
<b>Shock Resistance according to IEC 60068-2-27</b>	<b>1000g</b>	
<b>Damping</b>	<b>No</b>	
<b>Device Connector acc. to DIN EN 175301-803 Form A</b>	<b>4-pole</b>	
<b>Weight</b>	0.1764 lb	0.08 kg
<b>Seal Material</b>	<b>Viton / Wetted parts EN/DIN 1.4404 / Viton</b>	