

Control and specifications

Rheostat	12 VDC operation 10-12 V, 20-25 watts 24 VDC operation 25-30 V, 20-25 watts
Power plug options	EHH-AMP-702, EPAD-SA-1A6-10 (Require 24 VDC power supply to power plug and 12 VDC coil)
Amplifier card	EEA-PAM-523 (Requires 24 VDC power supply and either 12VDC or 24 VDC coil)
Joystick suppliers	OEM Controls, Inc, Shelton, CT P-Q Controls, Inc, Bristol, CT

Std. voltages	Amperes*	Lead color	Power rating
12 DC	1.32	red	16 W
24 DC	.66	black	16 W

*Nominal voltage @ 25°C (77°F).

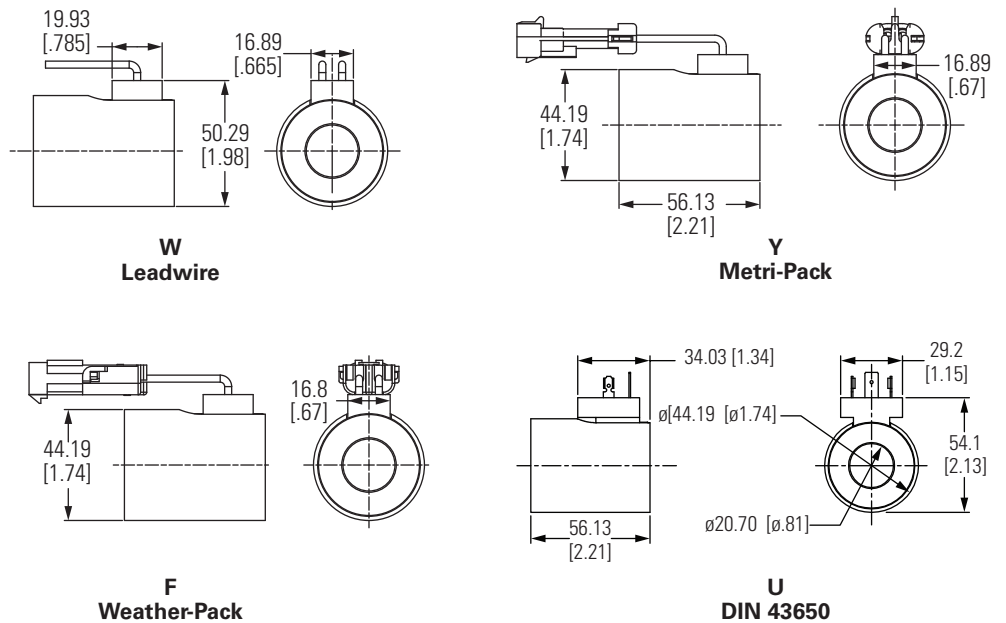
Coil part numbers

Voltage	F Connector	U* Connector	W Connector	Y Connector
12VDC	02-308810	02-154070	02-154072	02-308808
24VDC	02-308811	02-154071	02-154073	02-308809

*DIN 43650 mating connector for "U" style coil – 02-166796.

Coil configurations

⚠ Caution
Coils may be hot to touch if used in continuous duty applications.



Where measurements are critical request certified drawings. We reserve the right to change specifications without notice.